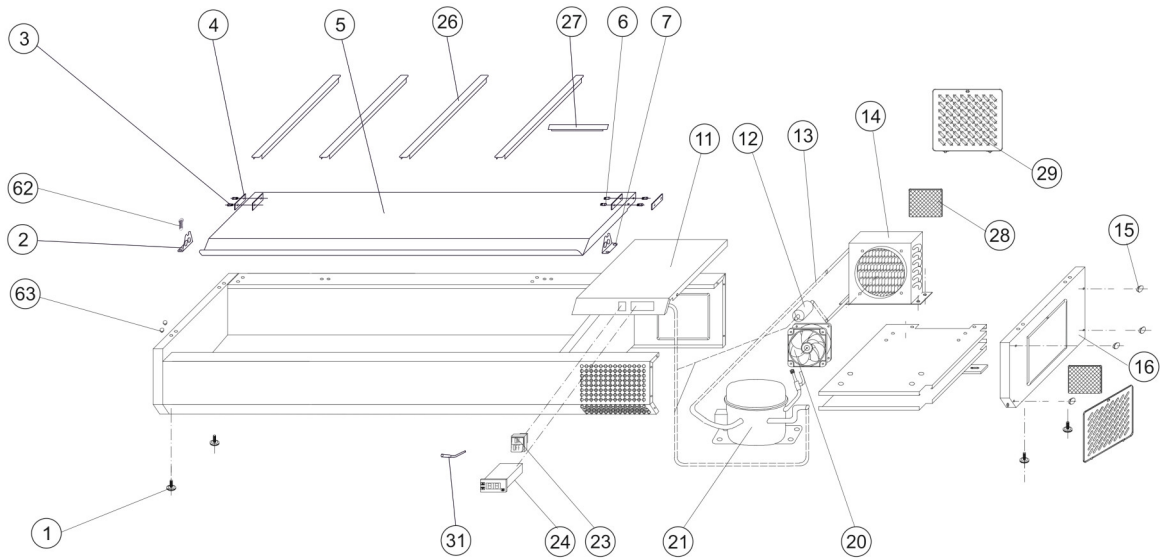


16525 / VK38-180 S/S LID

| Position | ItemNo | Description |
|----------|--------|----------------------------------|
| 01 | 14579 | Feet M8 |
| 02 | 12800 | Cover Hinge Right/Left |
| 03 | 12795 | Cover Hinge Axis |
| 04 | 13169 | Strengthening Board |
| 05 | 13167 | Stainless Steel Lid |
| 06 | 12907 | Nut For Cover Hinge Axis |
| 11 | 11869 | Unit Room Cover For Compressor |
| 12 | 54741 | Filter Drier |
| 13 | 13237 | Defrost Water Coil |
| 14 | 14193 | Condensor |
| 15 | 10068 | Plastic Cap |
| 16 | 11322 | Unit Side |
| 17 | 32629 | Plug |
| 20 | 13318 | Cond./Evap. Fan Rah1238B |
| 21 | 11725 | Compressor HDL100A R600A |
| | 11726 | Compressor HDL140A R600 |
| | 11734 | Compressor HXD55AA R600A |
| 23 | 13754 | Main Switch |
| 24 | 14061 | Thermostat XR02CX 2 Probes |
| 26 | 14761 | Divider For GN1/3 Pans 326x18 mm |
| 27 | 14770 | Divider For GN1/6 Pans 178x16 mm |
| 28 | 10020 | Filter 182 x 215 mm |
| 29 | 10017 | Dust Filter Cover |
| 30 | 10039 | Cover For Screw |
| 31 | 13896 | Probe NTC Dixell/Carel 10 Kohm |
| 62 | 10098 | Screw M5x16 |
| 63 | 10039 | Cover For Screw |

2024-09-04

16525 / VK38-180 S/S LID



VK38-nnn-S/S Lid